

# AMERISINK

## LEGEND

### APRON STAINLESS STEEL SINK

## AS340

### Features

- 33" x 22" x 10"
- 18 gauge, 304 stainless steel
- Apron sink
- Handcrafted
- Easy-to-clean, brushed finish
- Spray insulated undercoating & sound pads
- Limited lifetime warranty



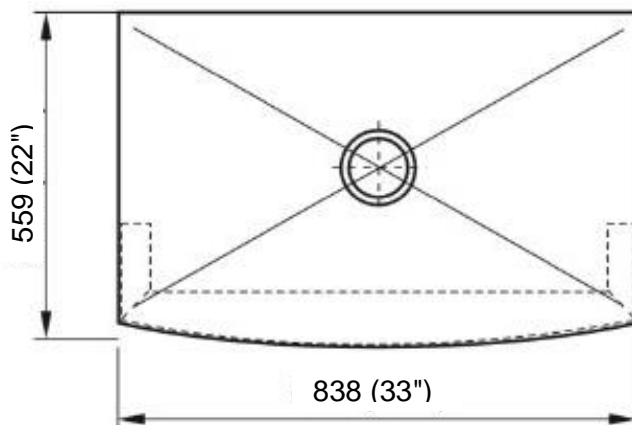
### OPTIONAL ACCESSORY:

N/A

### CODES:

ASME A112.19.3/CSA B45.4, cUPC

### Product Diagram



**1-877-500-SINK (7465)**

WEST COAST WAREHOUSE: 510-667-9998  EAST COAST WAREHOUSE: 404-691-5088

**WWW.AMERISINK.COM**